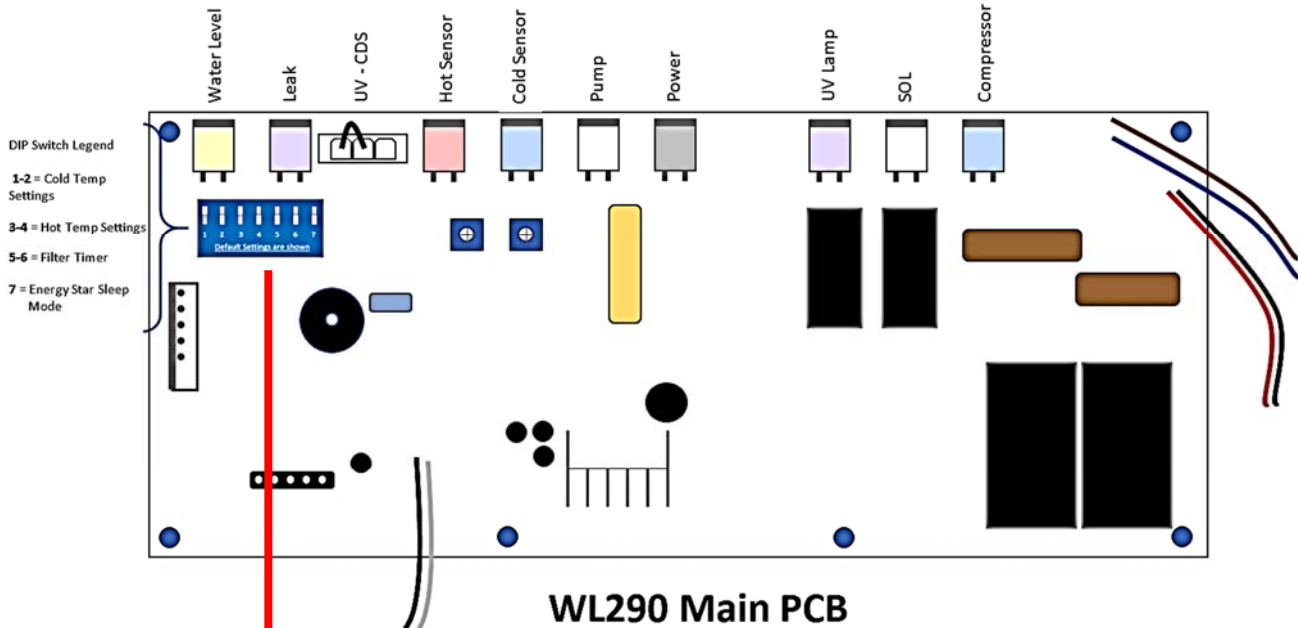
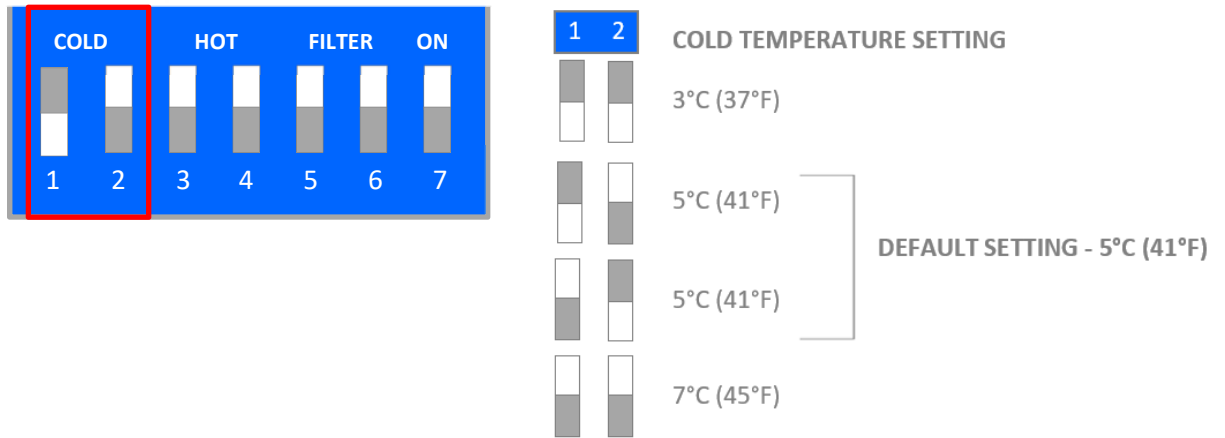


PROGRAMMING INSTRUCTIONS

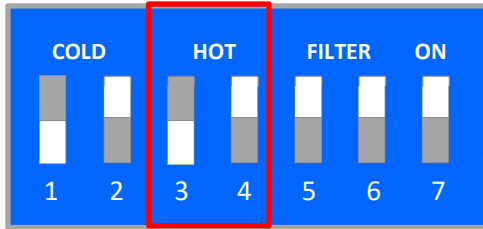
DP SET-UP COLD WATER TEMPERATURE



WL290 Main PCB



DP SET-UP HOT WATER TEMPERATURE



3 4

HOT TEMPERATURE SETTING



80°C (176°F)



85°C (185°F)

DEFAULT SETTING - 85°C (185°F)

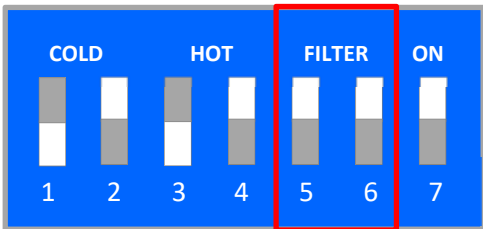


85°C (185°F)



93°C (199°F)

DP SET-UP FILTER TIMER



5 6

SET-UP FILTER TIMER



6 Months



9 Months



12 Months



None – DEFAULT SETTING

Filters should be configured to optimize your system. Filters need to be configured and specified to do the job given the local water conditions, usage, maintenance schedule, and placement restrictions.

In order for our filters to perform as represented and to provide the best quality water possible, it is essential that filters be replaced periodically. The frequency of filter changes depends on your water quality and your water usage. For example, if there is a lot of sediment and/or particles in your water, then you will have to change your filters more frequently than a location with little to no sediment. Be sure to replace your filters whenever you notice a decline in the performance, whether it is a drop-in flow rate and/or pressure or an unusual taste in the water.



DP SET-UP SLEEP MODE (ENERGY SAVER) When in Sleep Mode when there is no incoming water for more than three hours, the **WL290 Water Treatment System** will go to sleep mode automatically and the Red Sleep LED light is on and the heater is turned OFF.

