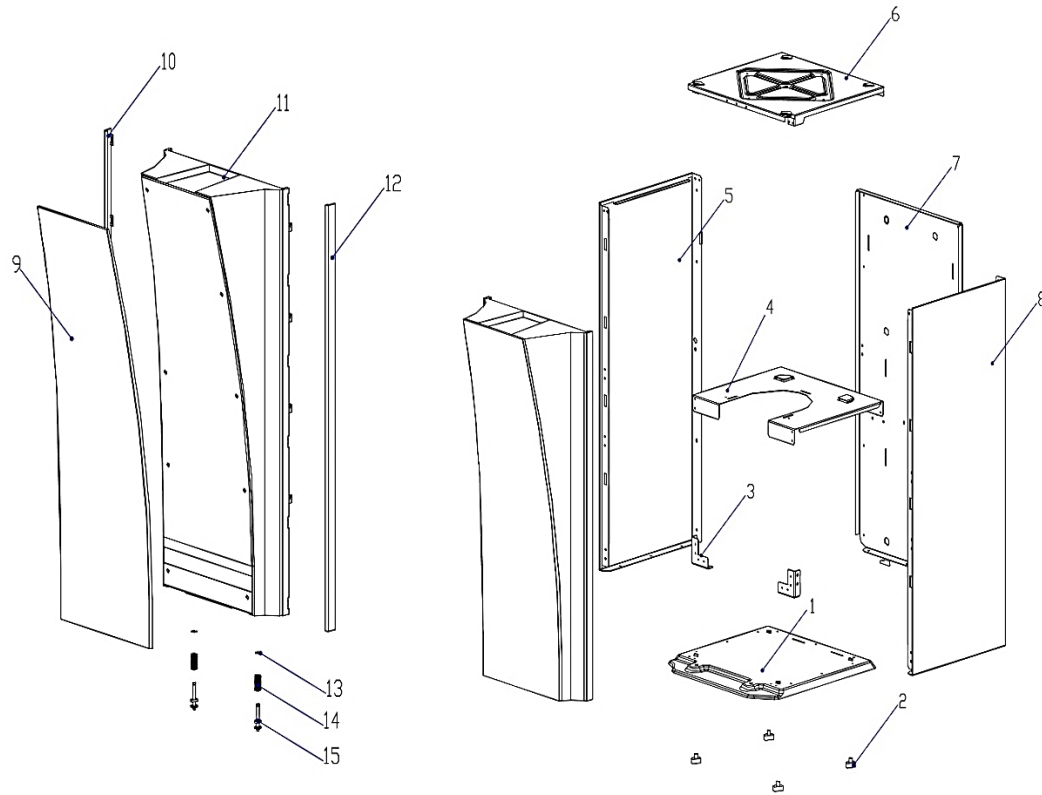


WL7 FW BASE CABINET LAYOUT DRAWING AND PARTS LIST



Number	Part Number	Description
1	ST-0167-L00-BM-WL7	Down Base - Matt Black
2	PL-1251CN	Rubber Feet
3	ST-0188-L00-00-WL7	Corner Support Bracket
4	ST-0184-L00-00-WL7	Middle Support
5	ST-0126-L00-BL-WL7	Left side panel
6	ST-0163-L00-00-WL7	Top Panel
7	ST-0164-L00-BM-WL7	Back Panel - Matt Black
8	ST-0127-L00-BL-WL7	Right side panel - Matte silver
9	ST-0165-L00-BM-WL7	BC Door Trim Front - Matt Silver
10	PL-0164-L00-MS-WL7	Door Trim Side - Matt Silver
11	PL-0129-L00-BL-WL7	Door Parent Part-High glossy black
12	PL-0164-L00-MS-WL7	Door Trim Side - Matt Silver
13	ST-0168-L00-00-WL7	Spring clamp
14	ST-0176-L00-00-WL7	Spring for front door
15	St-0177-L00-00-WL7	Bolt for front door (plunger, spring shaft)