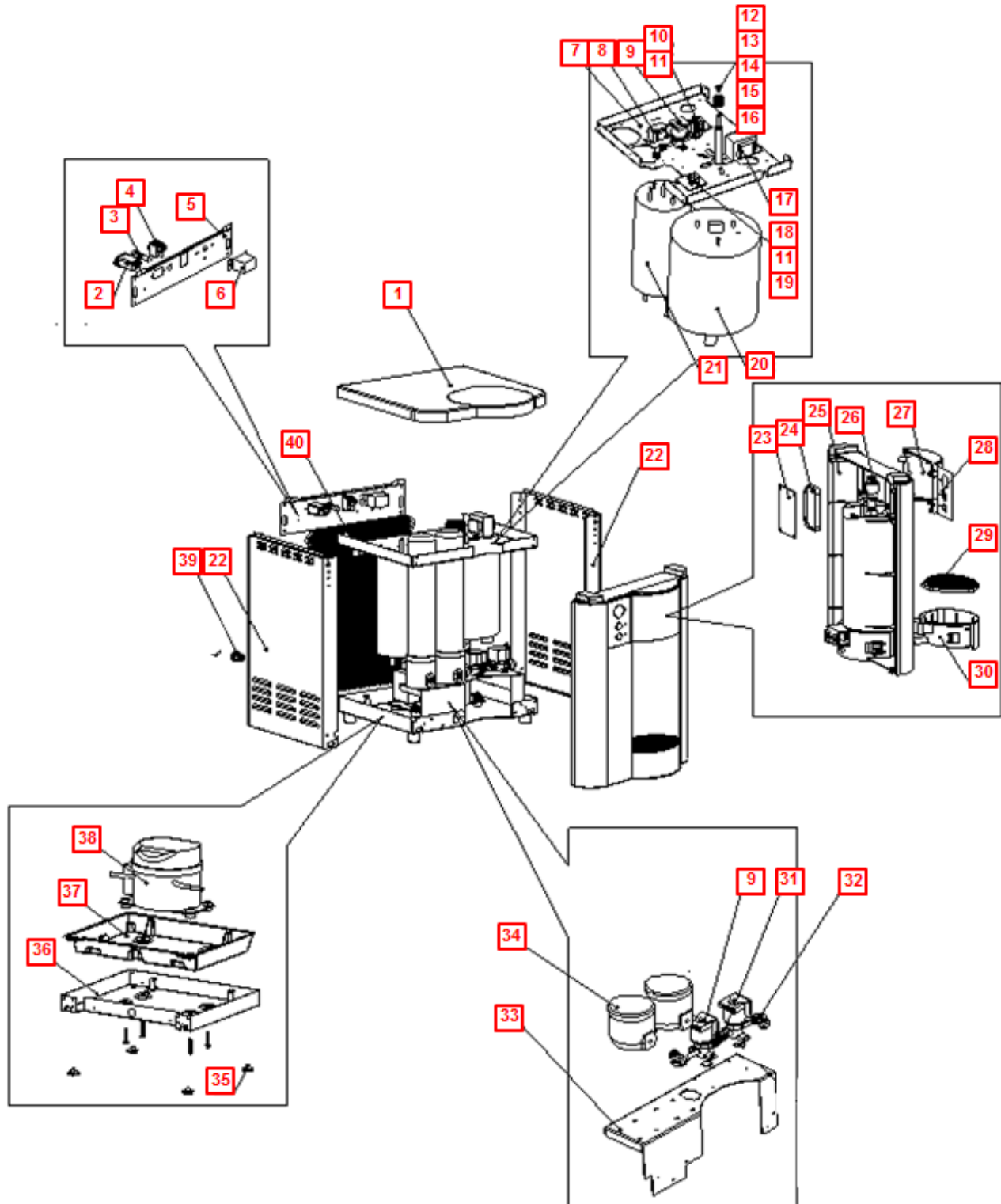


## Waterlogic infiniti UV COUNTER TOP PARTS DRAWING AND PARTS LIST







No	WLCP PN	Description	PN	
Not Shown	FT-0063	Carbon Block - 10" CBC 1-Micron Lead and Cyst Reduction Inline Filter <b>Optional</b> Filter Element PN FT-0038-WLT	FT-0063-IL-WLT	
Not Shown	FT-0035	GAC Filter - 10" Carbon Activated Inline Filter - <b>Optional</b> Filter Element PN FT-0038-WLT	FT-0035-IL-WLT	
1	NA	Top Cover – Charcoal	PL-0107-L00-CS	
1.1	ST-0049-L00-00	High Voltage Metal Cover (ETL-Certification) <b>Counter Top Only</b>	ST-0049-L00-00	
2	10-4013	Socket with ElectroMagnetic Interference Filter (EMI)	EL-5016	
3	10-3014	Fuse Holder and Fuse 120V / 15A with One Wire	EL-5053	
3.1	10-3013	Fuse 120V / 15A	EL-5010	
4	10-3008	Red Compressor and Heater Switch	EL-5004	
5	NA	Back Panel – Charcoal <b>Counter Top Only</b>	ST-8238	
6	12-1101	Cold Tank Thermostat	CT-2016	
7	NA	Upper Shelf <b>Counter Top Only</b>	ST-8234	
8	10-3010	UV Lamp Ballast 110V/60Hz	EL-5006-A CN	

9	12-1500	Solenoid Valve DC24V 1000mm	PU-4016	
9.1	CU-0001	Solenoid Cushion	CU-0001	
10	NA	Relay PCB	EN-0010-L00-00	
11	10-3017	Plastic PCB Support	EN-6059	
12	10-8085	UV Lamp Fixing Rubber (Silicon) (Supplied with CT-2060 UV Lamp 4W)	CT-2001-B	
13	12-1210	UV Lamp Retaining Threaded Nut	PL-1128	
14	10-2500	Black O-Ring for Quartz Sleeve	CT-2006	
15	CT-2084	UV Lamp 4W Assembly with Glow Starter <b>Counter Top Only</b>	12-2350	
16	14-1051	Quartz Sleeve for 4W Lamp <b>Counter Top Only</b>	CT-2026	
17	12-3117	Power Transformer 120V	EL-5003-A	
18	12-8510	3 Minute Timer PCB	AK-0008-A	
19	NA	Plasti0c PCB Supports (One side)	EN-6059-A	

20	12-3110	2L UV Cold Tank <b>Counter Top Only</b>	CT-2060	
20.1	LP-0326	Cold Thermostat Cover Label	LP-0326-L00-00	
21	10-4029	Hot Tank 120V/500W - 1.6L with Thermistor	HT-3024	
21.1	12-1360	Overload with Manual reset - 221°F (105°C)	HT-3012	
22	NA	Side Panel – Charcoal <b>Counter Top Only</b>	ST-8236	
23	NA	Display PCB	EN-0033-L00-00	
23.1	20-1005	Jumper Pin	EN-6082	
24	NA	Dispensing Silicon Buttons	PL-0109-L00-00	
25	11-2085	Drip Tray Insert Panel Charcoal	PL-1157	
26	10-2700	Faucet Assembly - Hot and Cold	PL-1011	
26.1	10-2600	Natural Faucet O-Ring – Silicon White	CT-2007	

26.2	10-3048	Faucet Nipple – Blue with Screen	PL-1013	
27	NA	Top Insert Hatch Panel - Silver	PL-0127-L00-00-INF	
28	NA	Display Button Label	LP-7087	
29	NA	Drip Tray Grill - Silver	PL-1163-L00-SI	
30	NA	Drip Tray - Silver - No Logo	PL-1162-L00-SI	
31	Purchase from John Guest	JG Equal Tee Connector 1/4" (PI0208S)	PU-4011-A	
32	Purchase from John Guest	JG Equal Elbow Connector 1/4" (PI0308S)	PU-4008-A	
33	NA	Filter Bracket <b>Counter Top Only</b>	ST-8239	
34	NA	Omnipure Non-Valved Head (Q NON VALVED HEAD JJ)	PU-4075	
35	12-3150	Unit Rubber Feet <b>Counter Top Only</b>	PL-1251-CN	
36	NA	Lower Shelf <b>Counter Top Only</b>	ST-8235	
37	NA	Leak Tray <b>Counter Top Only</b>	PL-0116-L00-00	

37.1	12-3180	Leak Containment Tray Clip (sensor 0.5mm)	ST-8207-CN	
37.2	NA	Leak Sensor Wire	EL-5076-KR	
<p><b>Verify compressor in machine before ordering parts as the Compressor P/N CO-0020-L00-00 and 10-2200 (CO-0001A) and related parts are not interchangeable.</b></p>				
<p><b>CO-0020-L00-00 Compressor</b></p>				
38A.1	CO-0020-L00-00	LG Compressor 120V R134A CSB035LJCM	CO-0020-L00-00	
38.2	CO-0019-L00-00	Compressor Capacitor	CO-0019-L00-00	
38A.3	ST-0216-L00-00	Capacitor Bracket	ST-0216-L00-00	
38A.4	CO-0017-L00-00	PTC Relay	CO-0017-L00-00	
38A.5	CO-0018-L00-00	Overload Protector	CO-0018-L00-00	
<p><b>CO-9001-A / 10-2200 Compressor</b></p>				
38B.1	10-2200	Compressor (R134a 1/8HP) 120V/60Hz	CO-9001-A	
38B.2	10-3003	Compressor Starter Relay	CO-9016	
38B.3	10-5018	Compressor Overload	CO-9015	
38.1	12-1001	Filter Dryer	CO-9008	
39	10-3067	Bulkhead Union ¼" x ¼" John Guest P/N PI1208S	PU-4028-A	
40	12-3100	Wire Condenser <b>Counter Top Only</b>	CO-9031	

Not Shown	10-3007	Power Cord 120V – 1840 mm	EL-5001-B	
Not Shown	Purchase from John Guest	JG Reducing Elbow Connector 5/16" * 1/4" (PI211008S)	PU-4007-A	
Not Shown	10-3062	JG LLDPE Tube - Blue 8mm John Guest P/N PE-0806-100M-B	PU-4014-A	
Not Shown	Purchase from John Guest	JG LLD PE Tube - Blue O.D.1/4" John Guest P/N PE-08-BI-1000F-B	PU-4031-A	
Not Shown	10-7040	Silicon Tube 5/16" for hot water	PU-4064	